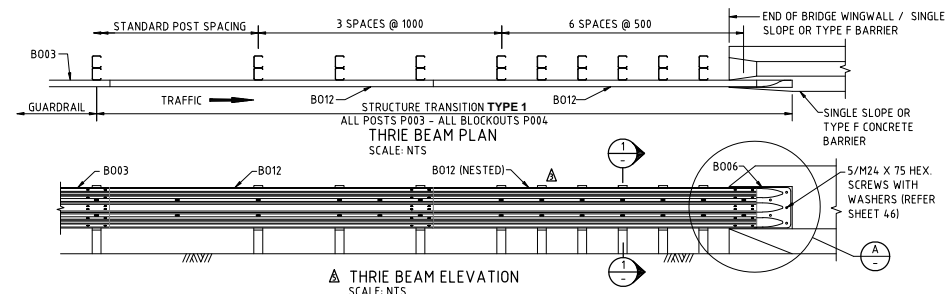
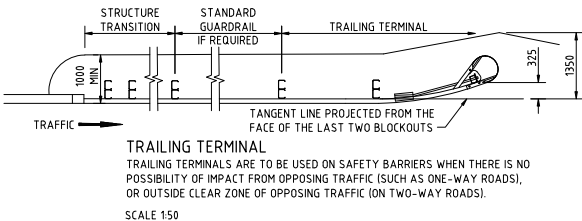
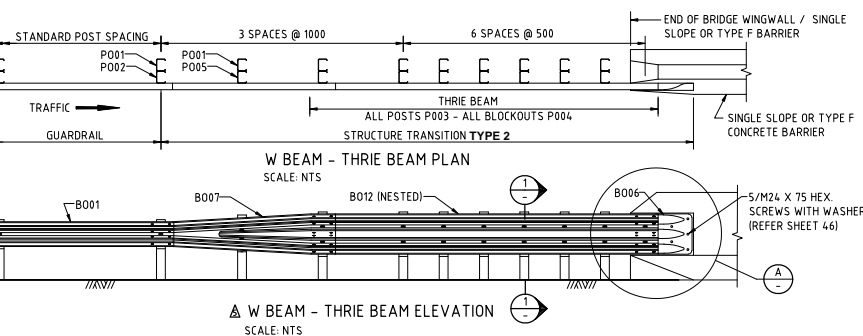


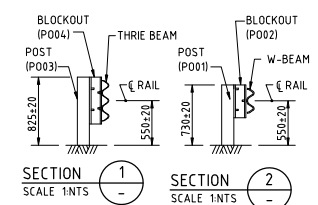
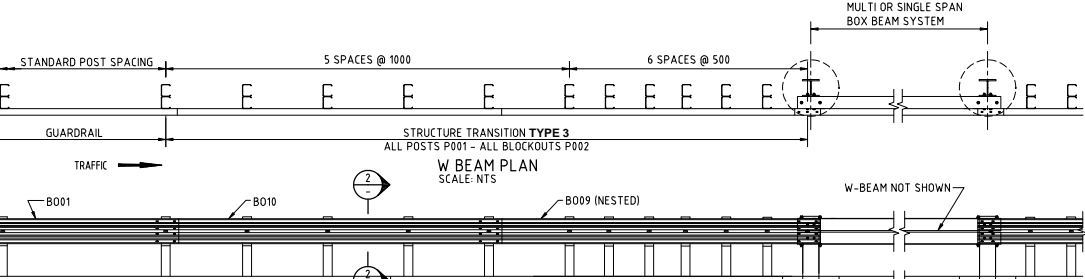
TANGENT LINE PROJECTED FROM THE FACE OF THE LAST TWO POST BLOCKOUTS IN THE LAST STANDARD POST SECTION ON THE STRAIGHT.



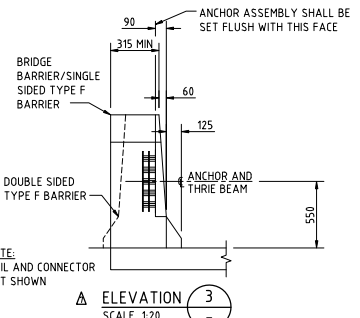
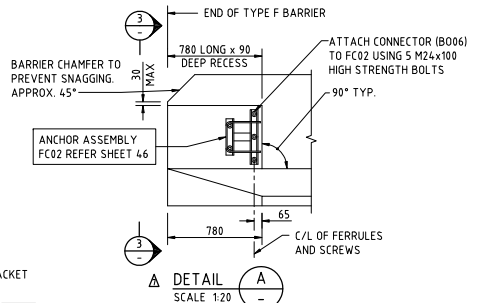
EXAMPLE OF THIRIE-BEAM CONNECTION TO BRIDGE RAIL SCALE: NTS



TRAILING TERMINAL
TRAILING TERMINALS ARE TO BE USED ON SAFETY BARRIERS WHEN THERE IS NO POSSIBILITY OF IMPACT FROM OPPOSING TRAFFIC (SUCH AS ONE-WAY ROADS), OR OUTSIDE CLEAR ZONE OF OPPOSING TRAFFIC (ON TWO-WAY ROADS).
SCALE 1:50



- NOTES**
- GENERAL**
1. RAIL LAP, POST AND BLOCKOUT ORIENTATION IN RELATION TO TRAFFIC DIRECTION AS SHOWN IS ESSENTIAL - REFER SHEET 36.
 2. STIFFENER PLATES SHALL BE USED AT POSTS WITHOUT RAIL LAP EXCEPT IN THE MELT.
 3. MODIFIED BLOCKOUTS P006/P007 (SEE SHEET 42) ARE USED FOR MODIFIED THIRIE BEAM GUARDRAIL AS DETAILED ON SHEET 38. THESE BLOCKOUTS NOT TO BE USED IN THIRIE BEAM TRANSITION.
 4. MELT AND TRAILING TERMINAL SETOUT AS SHOWN ON SHEET 36.



THIRIE BEAM CONNECTION TO CONCRETE F-TYPE BARRIER, SINGLE SLOPE BARRIER SIMILAR

△ SUPERSEDES DRG S-4050 SHEETS 29-35

DESCRIPTION	AMENDMENTS	Date	Resp	Authorised	Approved for Exec Director	Date
P001, P002, P003 & P004 ADDED TO STRUCTURE	△	26/09/11	AP	P. MOLLOY	A. NOBBS	29/9/11
TRANSITIONS	△	16/09/09	AP	P. MOLLOY	P. D. WILSON	18/09/09
CHANGES TO W-BEAM-THIRIE BEAM PLAN	△	26/05/08	AP	P. MOLLOY	P. D. WILSON	26/05/08
NOTE ADDED	△	4/8/05	AP	P. D. WILSON	G. W. CHAPLIN	4/8/05
IDENTIFIER ADDED	△	27/6/05	AP	P. D. WILSON	G. W. CHAPLIN	27/6/05
SUPERSEDE NOTE ADDED	△	27/6/05	AP	P. D. WILSON	G. W. CHAPLIN	27/6/05

△ W BEAM ELEVATION SCALE: NTS

SMALL ROAD STRUCTURE OR BRIDGE

CHAMFER ADDED TO CONCRETE BARRIER TYPE F ELEVATION 3 TITLE CHANGE

1/09/14 AP P. MOLLOY P. MOLLOY 16/12/14
19/12/13 AP P. MOLLOY X 19/12/13

ALL DIMENSIONS ARE IN MILLIMETRES UNLESS SHOWN OTHERWISE

DESIGN	A. PYRZAKOWSKI	ENDORSED	A. RICHARDSON for MANAGER PROJECTS
DRAWN	DESIGN UNIT	APPROVED	G.W. CHAPLIN for Executive Director
CHECKED	A. PYRZAKOWSKI	DATE	06-08-2004
EXAMINED	A. NOBBS	CONSTRUCTED	
LIMIT	Structural and Geotech.	Title	
MANAGER	G.W. CHAPLIN	Date	

STANDARD DRAWING
STEEL BEAM GUARDFENCE

INSTALLATION ADJACENT TO RIGID BARRIERS

AMEND 7 SHEET 37 DRG S - 4050

STRUCTURAL and GEOTECHNICAL SECTION