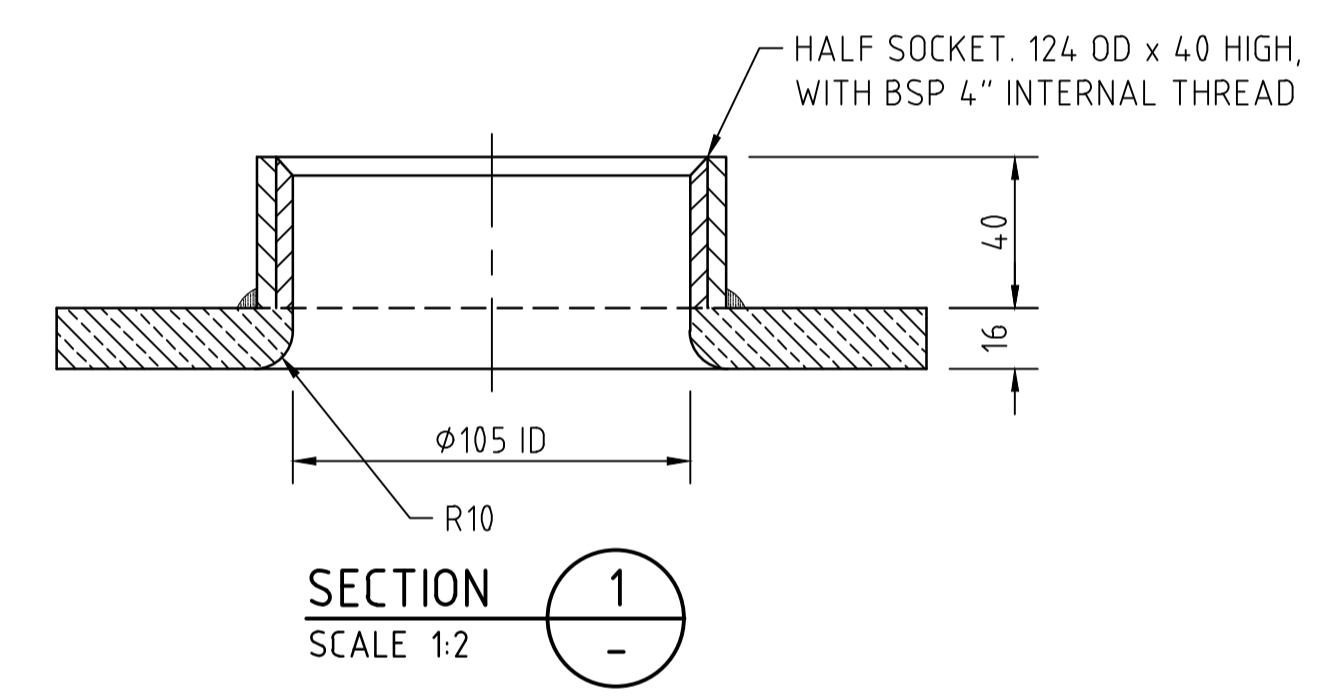
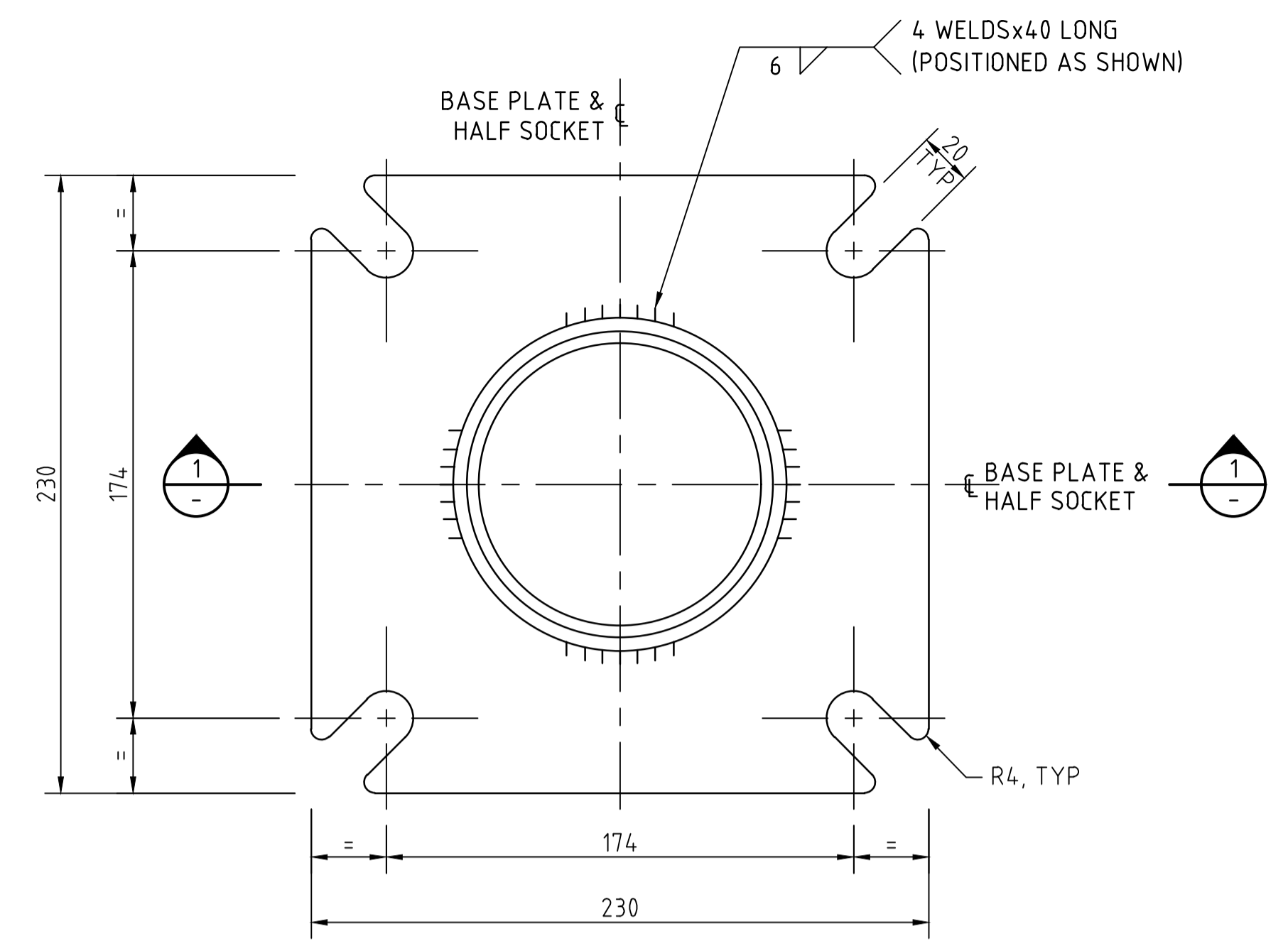
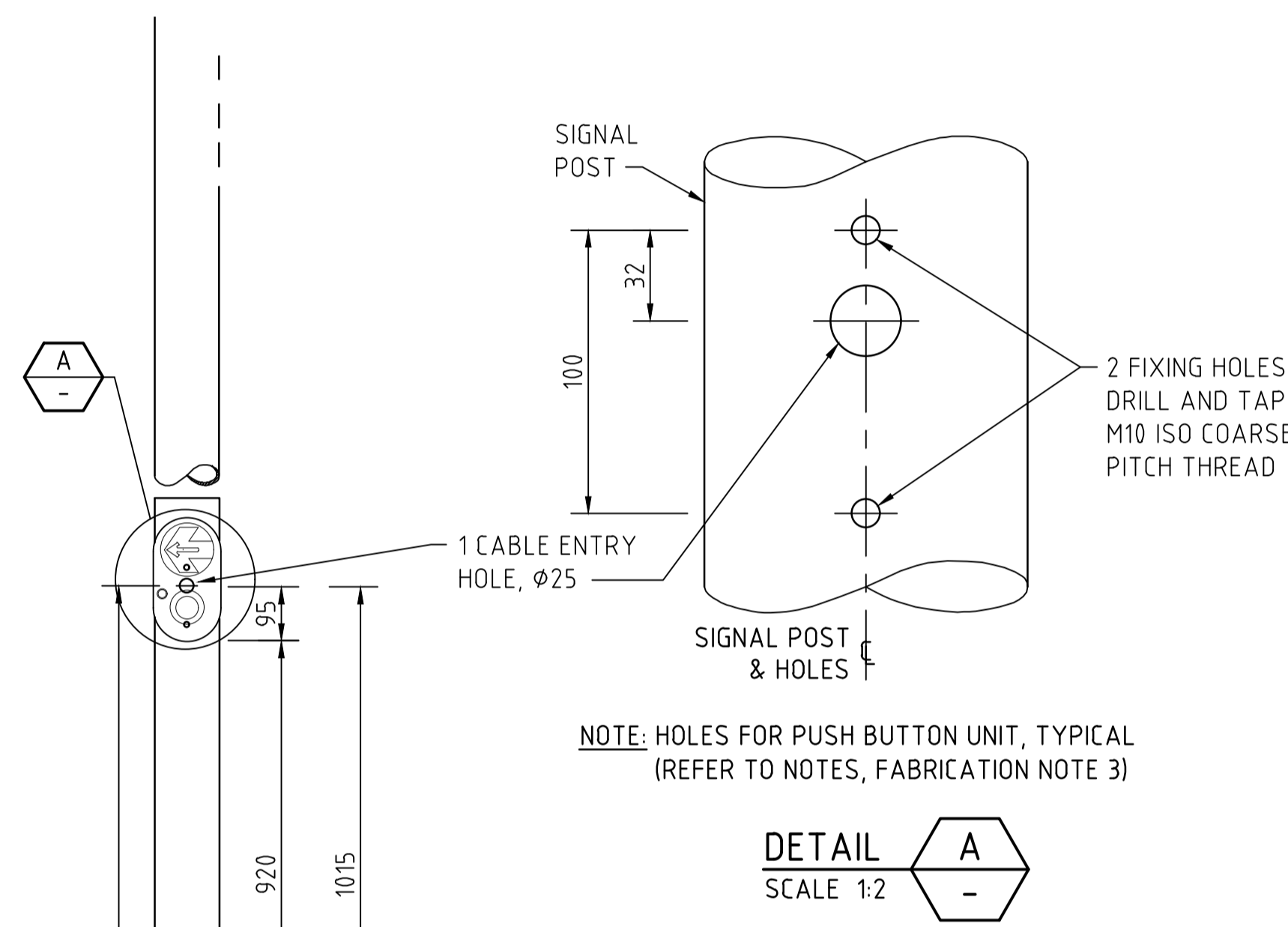


- LEGEND**
- EXTERIOR BLACK MATT
 - AS 27005 1985 - 'SIGNAL RED' R13 EXTERIOR PANEL
 - WHITE EXTERIOR ENAMEL
 - UNPAINTED GALVANIZED FINISH



SIGNAL POSTS (114.3x4.5 CHS GALV.)
SCALE 1:10

NOTE: FOR INSTALLATION DETAILS REFER TO STD DRG S-4515 SHEET 2.

THIS SHEET SUPERSEDES S-4537 SHEET 3

NOTES

DESIGN
1. IN ACCORDANCE WITH AS2339.

MATERIALS
1. CIRCULAR HOLLOW SECTION (CHS) SHALL BE GRADE C250LO OR C350LO IN ACCORDANCE WITH AS 1163, WITH BSP 4" SCREW THREADS AT ONE END.
2. HALF SOCKET OD 124, HEIGHT 40, WITH BSP 4" SCREW THREAD, MIN YIELD STRESS OF 195MPa IN ACCORDANCE WITH AS 1074.
3. BSP 4" SCREW THREAD AT POST AND HALF SOCKET SHALL COMPLY WITH AS 1722.1.
4. BASE PLATE SHALL BE GRADE 250 IN ACCORDANCE WITH AS3678.

FABRICATION
1. WELDING SHALL BE SP CATEGORY AND TO BE CARRIED OUT IN ACCORDANCE WITH AS/NZS 1554.1
2. ALL SHARP EDGES AND BURRS RESULTING FROM FABRICATION SHALL BE REMOVED BEFORE APPLYING SURFACE PROTECTION.
3. HOLES FOR PUSH BUTTON SHALL NOT BE DRILLED IF PUSH BUTTON IS NOT REQUIRED. IF THE HOLES ARE PRE DRILLED DURING FABRICATION, FINAL ORIENTATION AND HEIGHT OF THE INSTALLED PUSH BUTTON SHALL MEET THE REQUIREMENTS IN DIT MASTER SPECIFICATION PART RD-EL-C2 'INSTALLATION OF TRAFFIC SIGNALS'.
4. INSTALL EARTHING FACILITY IN ACCORDANCE WITH AS 2399 - RECESSED AND THREADED THROUGH POST COUNTERSUNK HEAD M640mm EARTHING SCREW WITH COARSE THREAD. THE EARTHING SCREW, NUTS AND WASHERS TO BE GRADE 316 STAINLESS STEEL AND SHALL COMPLY WITH AS2837.

PAINTING
1. PAINTING OF TYPE 4 SIGNAL POST SHALL BE AS SHOWN ON THE DRAWING.

SURFACE PROTECTION
1. CHS SIGNAL POLES SHALL BE GALVANIZED IN ACCORDANCE WITH AS 4792. 40mm LONG, BSP 4" SCREW THREAD AT THE BOTTOM END OF THE POST SHALL BE TAPPED AFTER THE POST HAS BEEN GALVANIZED.
2. THE WHOLE BASE PLATE INCLUDING WELDS AND OUTSIDE OF THE HALF SOCKET SHALL BE COATED OR SPRAYED WITH ZINGA HIGH SOLID, ZINC RICH PAINT OR SIMILAR APPROVED PRODUCT.

| | | | |
|--|-----|-------------------|------------------|
| DESIGNED | XXX | QUALIFICATION XXX | DATE: DD/MM/YYYY |
| REVIEWER | XXX | QUALIFICATION XXX | DATE: DD/MM/YYYY |
| INDEPENDENT DESIGN CERTIFIER (IF REQUIRED) | XXX | QUALIFICATION XXX | DATE: DD/MM/YYYY |

| |
|-------------------------------------|
| INDEX SHEET REFERENCE: XXXX SHEET X |
| UNCONTROLLED COPY WHEN PRINTED |

| | |
|--|------------------|
| DESIGNED | XXX |
| QUALIFICATION XXX | DATE: DD/MM/YYYY |
| REVIEWER | XXX |
| QUALIFICATION XXX | DATE: DD/MM/YYYY |
| INDEPENDENT DESIGN CERTIFIER (IF REQUIRED) | XXX |
| QUALIFICATION XXX | DATE: DD/MM/YYYY |

| | |
|--|-----------------------------------|
| PROJECT No.: XXXXX | FILE No.: XX/XXXXX |
| DESIGN No.: XXXXXXXX | SURVEY No.: XXXXXXXX |
| PROJECT START ROAD RUNNING DISTANCE: XXXX; CH XXXX = XXX.XX km | |
| PROJECT END ROAD RUNNING DISTANCE: XXXX; CH XXXX = XXX.XX km | |
| SCALES: | ALL DIMENSIONS ARE IN MILLIMETRES |

| | | | | | |
|---|----------|---|---------------------------|---------------------|------------|
| STANDARD DRAWING | | | | | |
| TRAFFIC SIGNAL POSTS | | | | | |
| POST TYPES AND POST MOUNTING DETAILS | | | | | |
| DESIGNED: | DRAFTED: | ACCEPTED FOR USE: | ACCEPTANCE FORM KNET No.: | DRAWING No.: | SHEET No.: |
| BJD | SA | P. MOLLOY TITLE: MANAGER ENG SERVICES DATE: 13/7/2016 | 9745900 | S-4537 | 6 |
| IN ACCORDANCE WITH DP013 | | | SHEET LATITUDE N/A | SHEET LONGITUDE N/A | |

| | | | | |
|--|----|-------|------------|---------|
| AMENDMENT DESCRIPTION | BY | CHECK | ACCEPTANCE | DATE |
| NOTE 3 FABRICATION UPDATED. BASE PLATE ADDED TO POST TYPE 1,2,3. | LM | YX | Y.XIAO | 31.3.22 |
| NOTE UPDATED FOR DETAIL A | DN | YX | Y.XIAO | 06.9.21 |
| PUSH BUTTON HEIGHT DETAILS ADDED | LM | DUDZ | P.STRATTON | 29.6.20 |

100 MILLIMETRES ON ORIGINAL DRAWING

ALL DIMENSIONS ARE IN METRES UNLESS SHOWN OTHERWISE

CAD FILE NAME: 4537 SHEET 0006 - AUTOCAD DRAWINGS.DWG