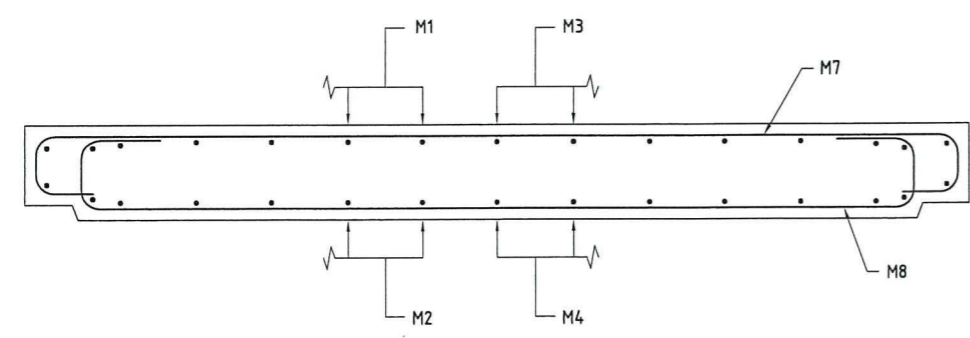
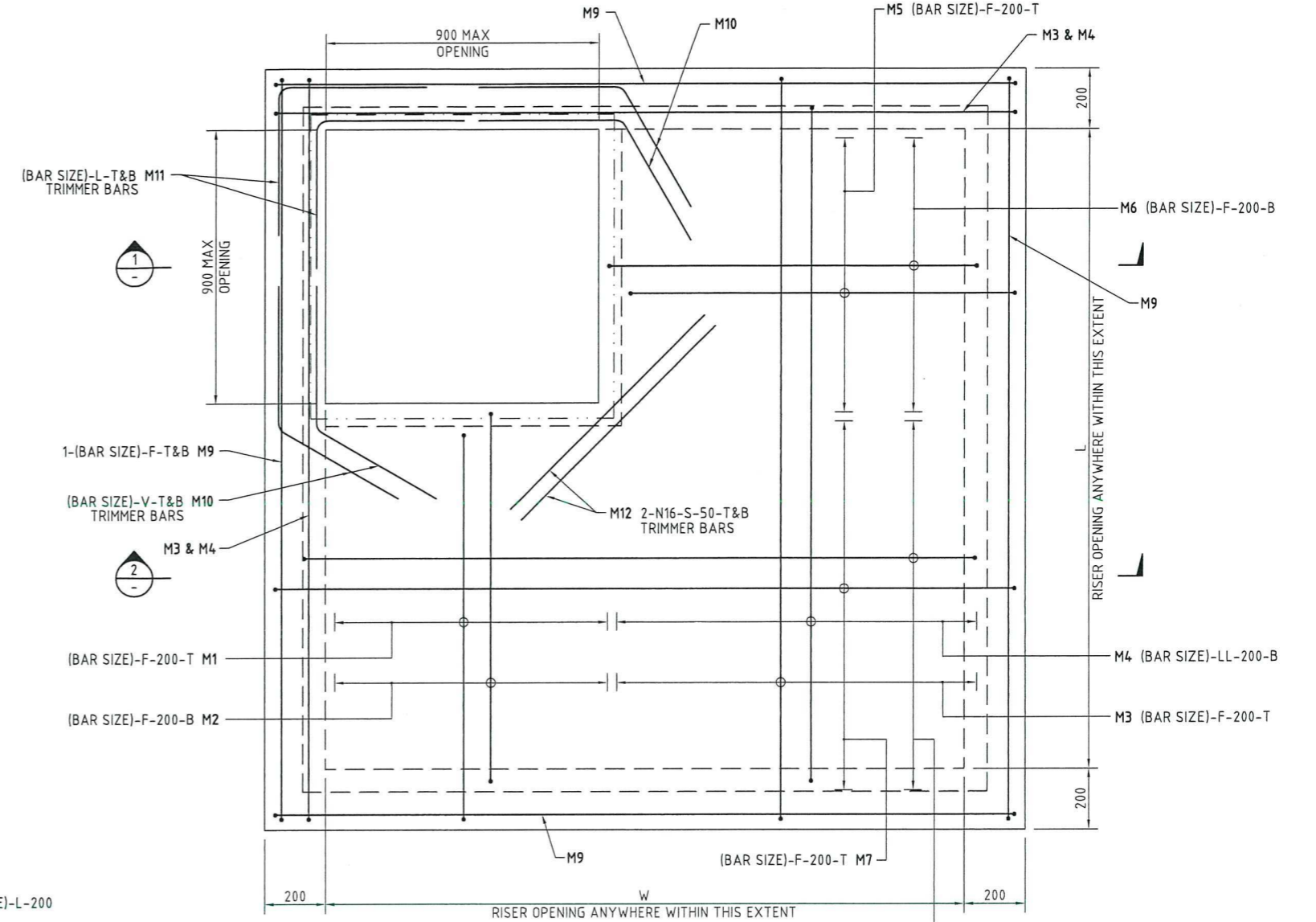


NOTE:
 1. FOR DETAILS STANDARD PITS (IE RISER) REFER TO SHEETS 15-21.
 2. REFER TO TABLE THIS SHEET FOR BAR SIZES IN RELATION TO SIZE OF HAUNCH PIT.

SECTION 1
 SCALE 1:10

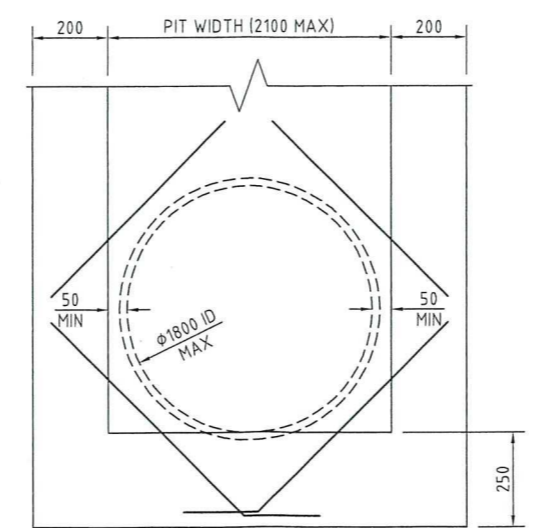


SECTION 2
 SCALE 1:10



NOTE:
 1. ADJUST SIZE OF BARS M1 TO M8 DEPENDING ON POSITION OF OPENING.
 2. ADJUST SHAPE OF TRIMMER BARS M10 TO M12 DEPENDING ON POSITION OF OPENING.
 3. REFER TO TABLE BELOW FOR BAR SIZES IN RELATION TO SIZE OF HAUNCH PIT.

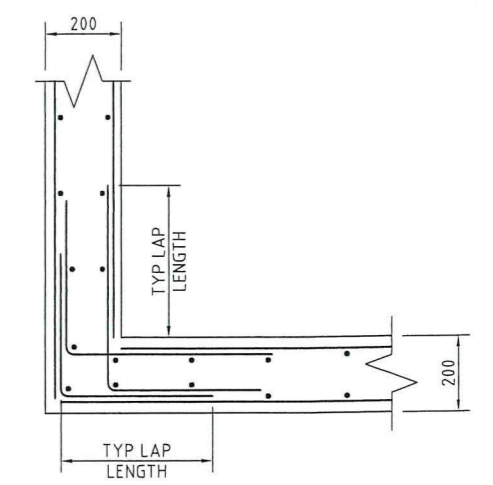
PLAN OF BRIDGE BEAM - SINGLE SIZE
 SCALE 1:10



HAUNCHED PIT PIPE PENETRATION REINFORCEMENT
 NOT TO SCALE

HAUNCH PIT REINFORCEMENT REQUIREMENTS

W OR L	BAR SIZE
0.9M TO 1.5M	N12
1.5M TO 2.1M	N16



TYPICAL DOUBLE LAYER REINFORCEMENT
 WALL TO WALL - HAUNCHED PIT
 SCALE 1:10

FILE: H:\04 - STANDARDS\4080 - DRAINAGE\4080 Sheet 0022-AMD 0.dwg

No.	AMENDMENT DESCRIPTION	BY	CHECK	ACCEPTANCE	DATE

100 MILLIMETRES ON ORIGINAL A1 DRAWING ALL DIMENSIONS ARE IN MILLIMETRES UNLESS SHOWN OTHERWISE UNCONTROLLED COPY WHEN PRINTED

 Government of South Australia Department of Planning, Transport and Infrastructure	STANDARD DRAWING DRAINAGE		PRECAST BASE PITS WITH OFFSET DAUL HAUNCH AND LARGE JUNCTION BOXES (JB)(UP TO 2100x2100) - DIMENSIONS & REINFORCEMENT		
	DESIGNED: LY CHECKED: ME	DRAFTED: SA REVIEWED: PM/BL	ACCEPTED FOR USE: STEPHEN PASCALE MGR, TECHNICAL SERVICES DATE: 21/12/15	ACCEPTANCE FORM KNET No.: 9375000	DRAWING No.: S-4080 SHEET No.: 22 LATTITUDE: N/A
	AMEND No.: 0		LONGITUDE: N/A		