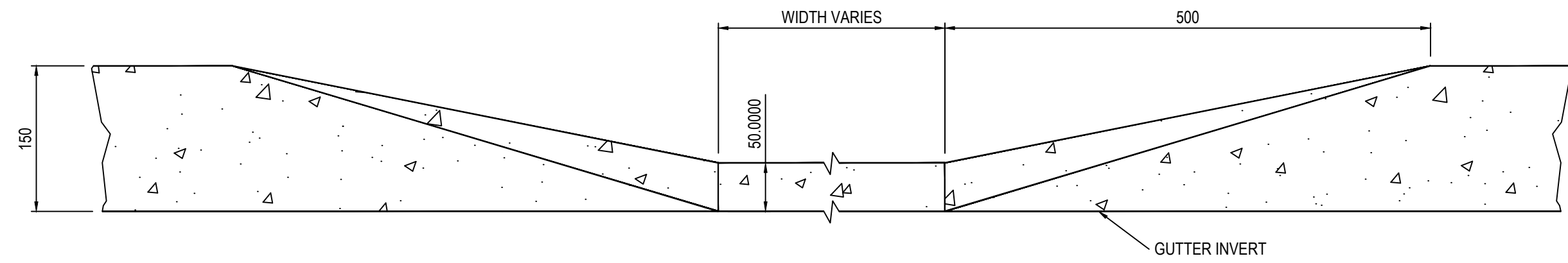
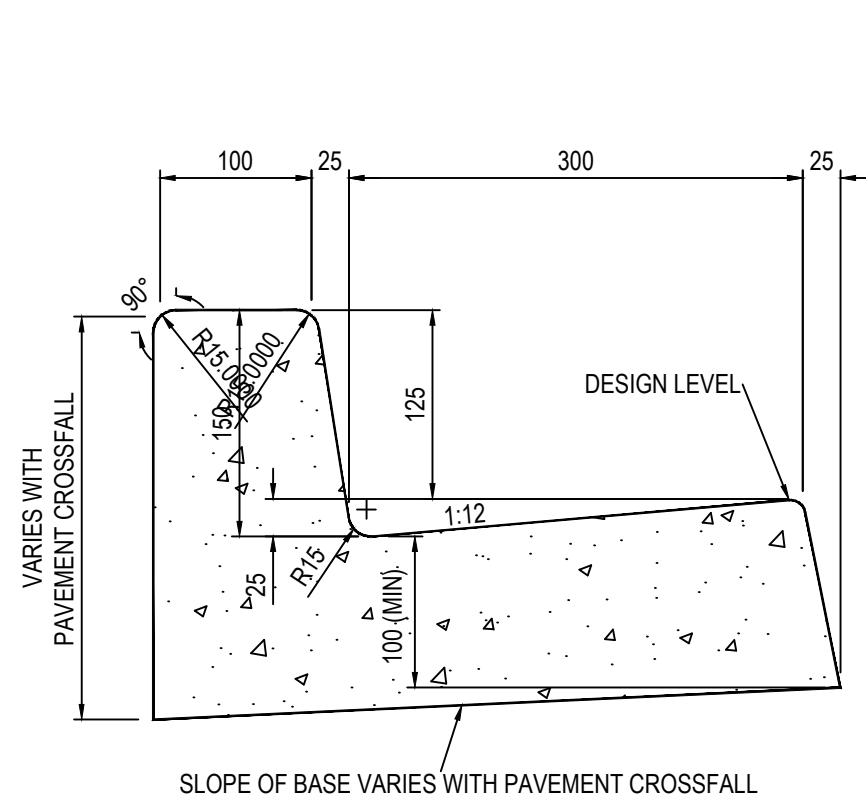


PROPERTY CROSS OVER - STANDARD  
PLAN VIEW



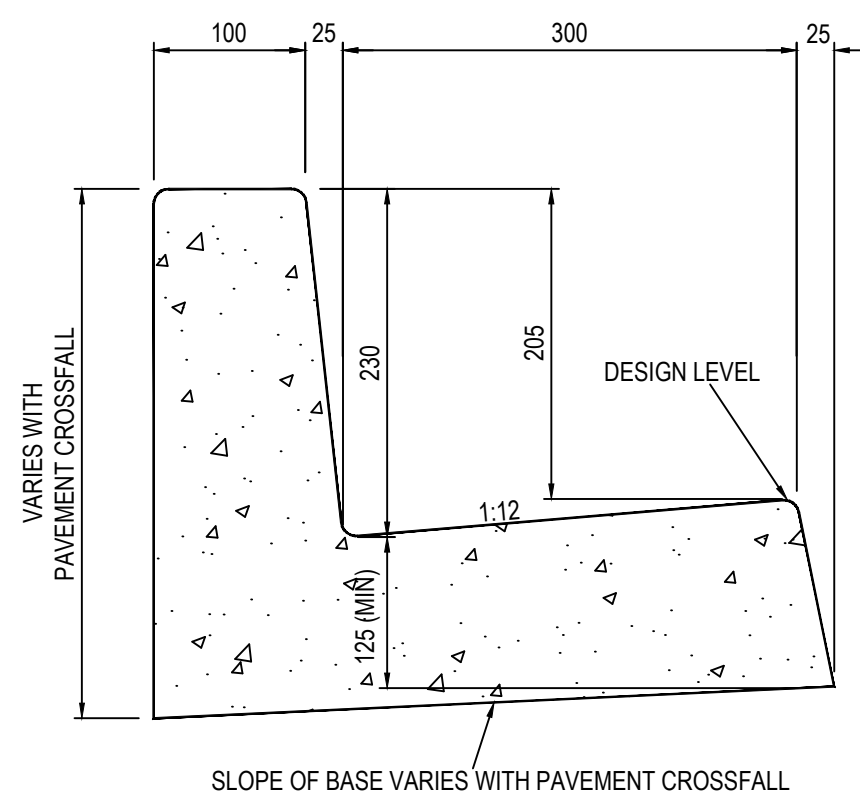
PROPERTY CROSS OVER - STANDARD  
ELEVATION AT GUTTER INVERT



KERB AND GUTTER - STANDARD (150mm)

CROSS SECTIONAL AREA = 0.0676m<sup>2</sup>  
(FOR 3% CROSSFALL)

SECTION A-A

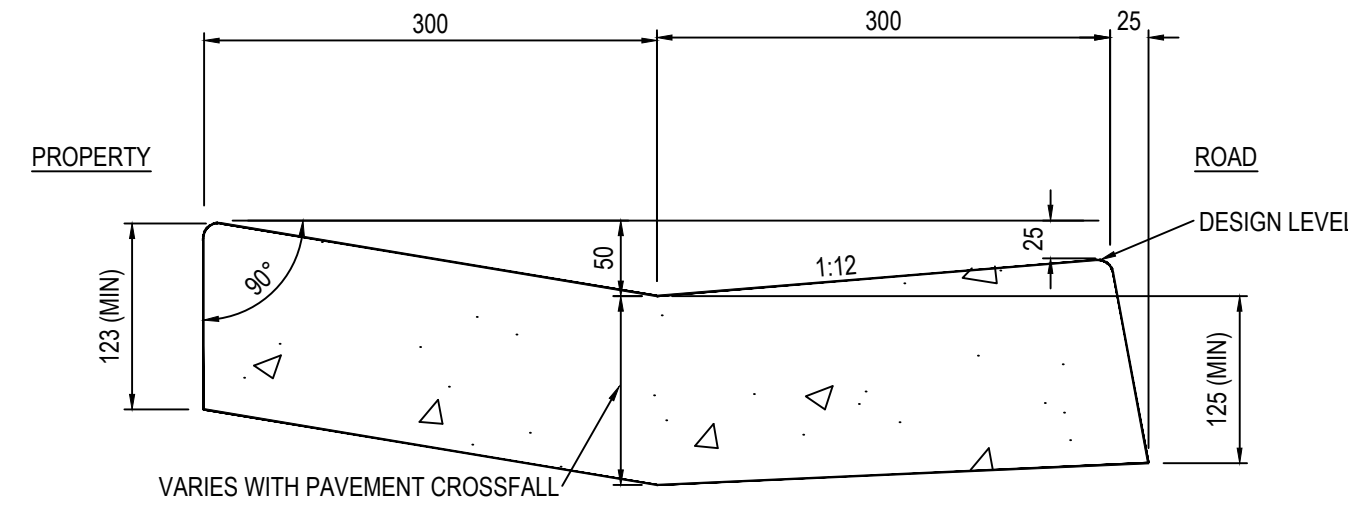


KERB AND GUTTER - (230mm)

CROSS SECTIONAL AREA = 0.0767m<sup>2</sup>  
(FOR 3% CROSSFALL)

ONLY USED ADJACENT TO PARKLANDS

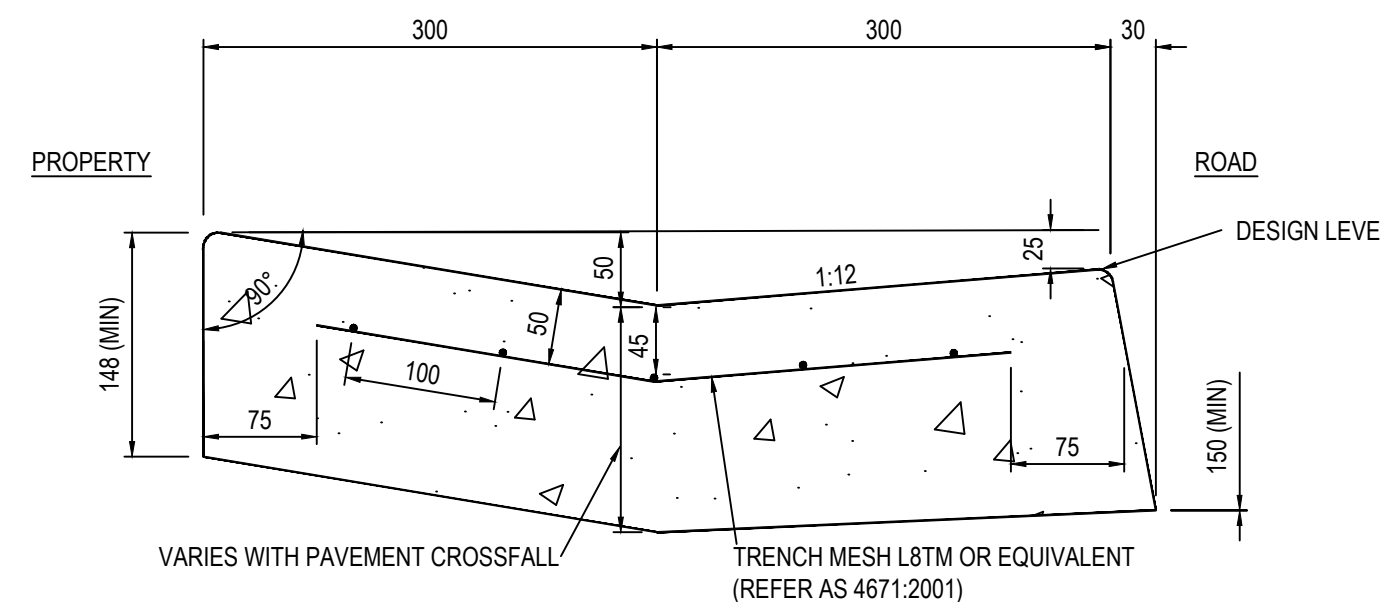
SECTION A-A



PROPERTY CROSS OVER - STANDARD

CROSS SECTIONAL AREA = 0.0721m<sup>2</sup>  
(FOR 3% CROSSFALL)

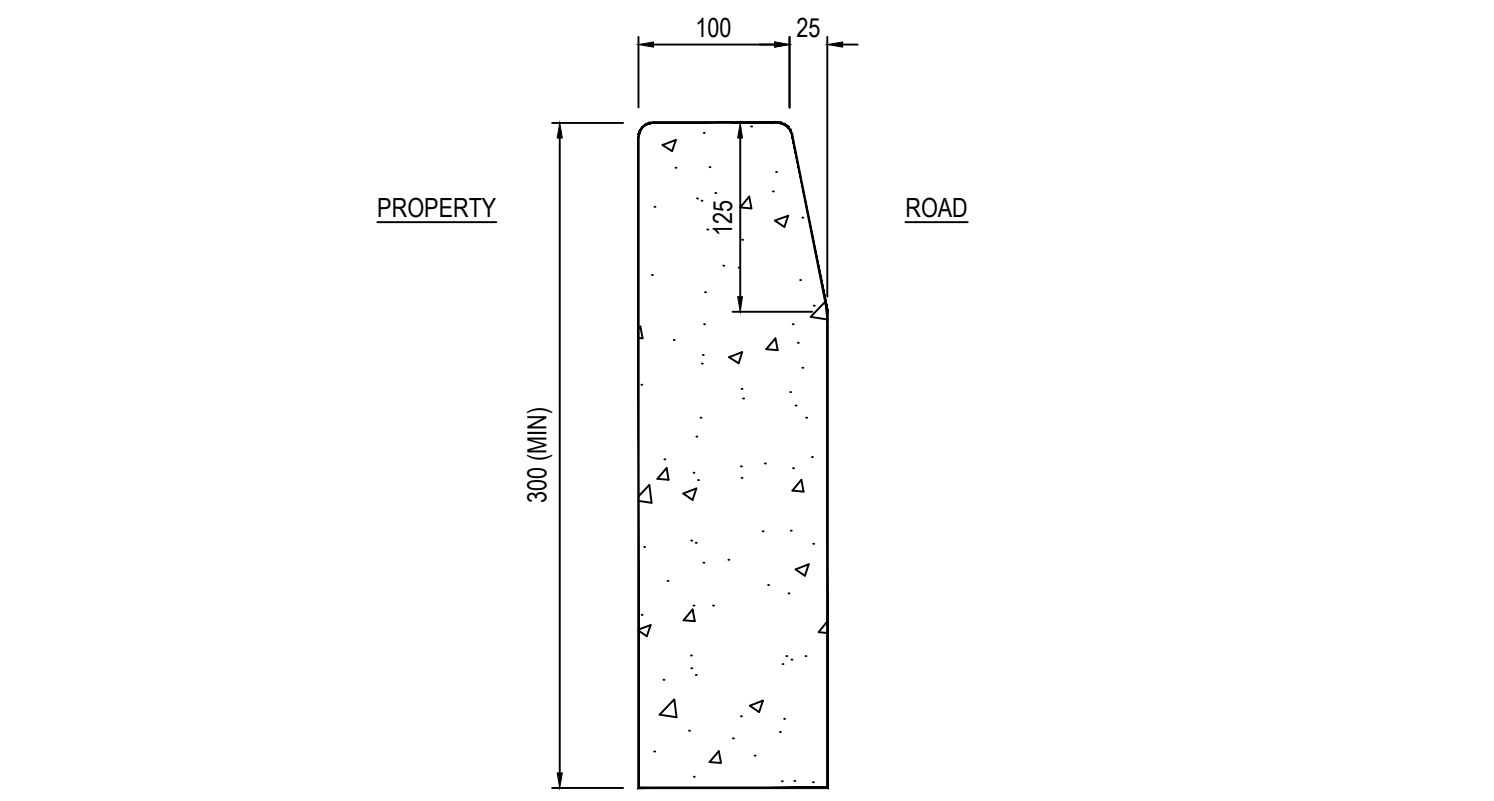
SECTION B-B



PROPERTY CROSS OVER - REINFORCED

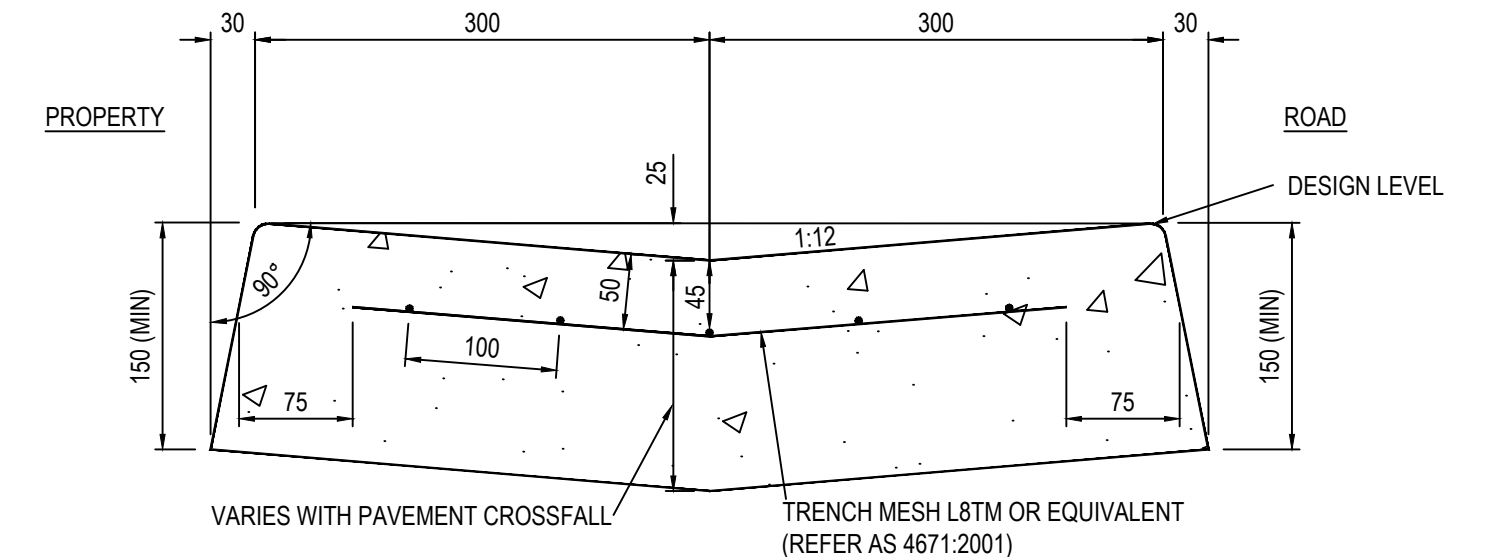
CROSS SECTIONAL AREA = 0.0879m<sup>2</sup>  
(FOR 3% CROSSFALL)

SECTION B-B



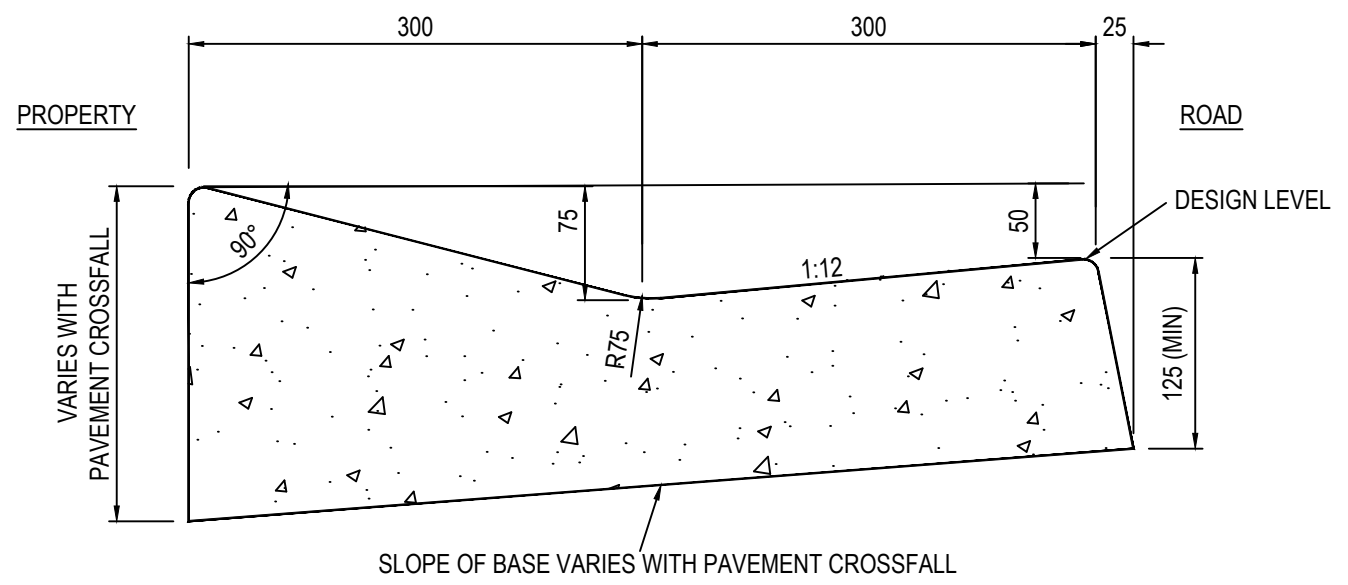
KERB ONLY

CROSS SECTIONAL AREA = 0.0359m<sup>2</sup>



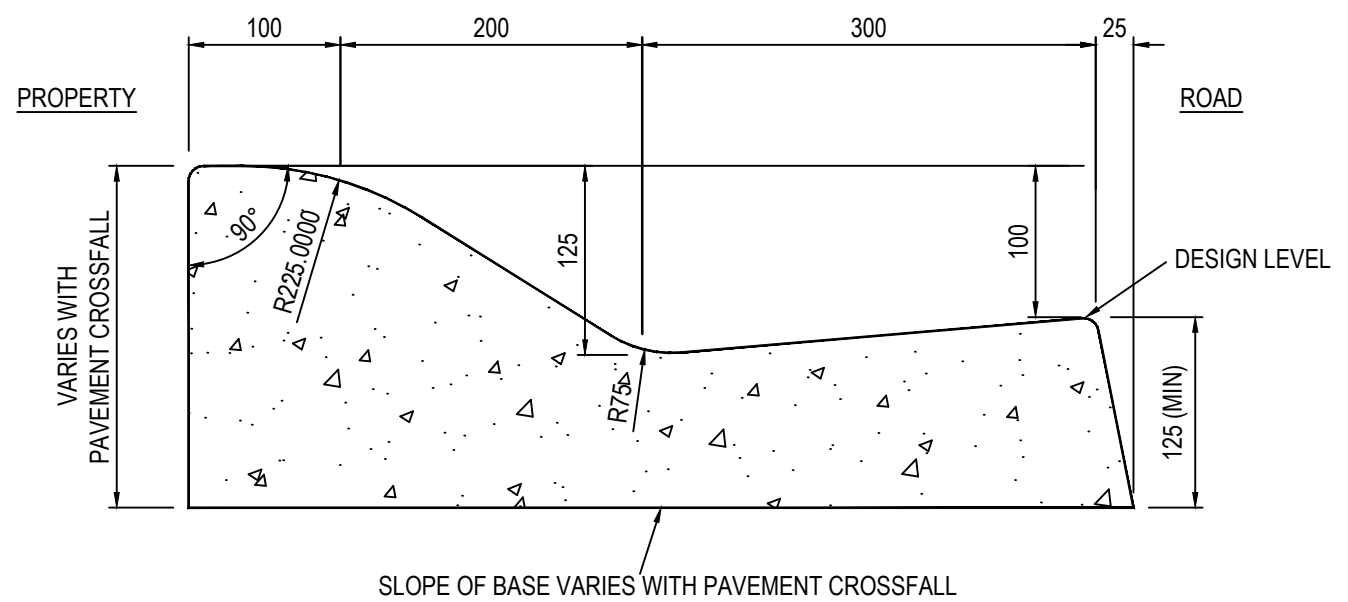
DISH DRAIN - STANDARD

CROSS SECTIONAL AREA = 0.0888m<sup>2</sup>  
(FOR 3% CROSSFALL)



KERB AND GUTTER - MOUNTABLE

CROSS SECTIONAL AREA = 0.0843m<sup>2</sup>  
(FOR 3% CROSSFALL)



KERB AND GUTTER - SEMI-MOUNTABLE

CROSS SECTIONAL AREA = 0.0958m<sup>2</sup>  
(FOR 3% CROSSFALL)

NOTES:

1. CONCRETE GRADE 25 Mpa.
2. CONTROL JOINTS TO BE UNIFORM INTERVALS OF 3 METRES
3. ALL EXPOSED ARRISSES TO BE ROUNDED TO 10mm RADIUS.
4. APPROPRIATE ALLOWANCE SHALL BE MADE TO ACCOMMODATE THE SECTION WITHIN THE PAVEMENT WHERE THE UNDERSIDE DOES NOT MATCH A PAVEMENT LAYER.
5. ALL DIMENSIONS ON THIS DRAWING ARE IN mm, UNLESS OTHERWISE SHOWN.
6. ALL MEDIAN AND TRAFFIC ISLANDS 2m OR LESS IN WIDTH ADOPTING ANY KERBING TO MAINTAIN CONTINUITY OF ADJACENT PAVEMENT CONFIGURATION FOR FULL EXTENT OF KERBING.

8	NOTE 6 ADDED	GE	PAS	ECHO CUI	31.03.20
7	DRAFTING CORRECTION TO KERB AND GUTTER - STANDARD (150MM) SECTION A-A	SJK	CS	E. WINKLER	18.04.18
6	REDRAWN.	SJK	ED	A GLAVINIC	14.08.17
5	AMENDMENTS SEE NOTE NO. 1 AND MESH TYPE	MR		N O'CALLAGHAN	21.05.15
4	DIMENSIONS ADJUSTED	CE		R J BASSETT	20.09.02
3	NOTE 4 DELETED, DRAWING RE-DRAWN	CE		R J BASSETT	05.06.00
2	"MIN" ADDED TO DIMENSION, NOTE 5 ADDED	RD	AM	R J BASSETT	26.03.96
1	DIMENSION ALTERED FROM 30 TO 25	RO2	HT	R B SAUNDERS	01.04.93
No.	AMENDMENT DESCRIPTION	BY	CHECK	ACCEPTANCE	DATE

UNCONTROLLED COPY WHEN PRINTED		100 MILLIMETRES ON ORIGINAL DRAWING	ALL DIMENSIONS ARE IN METRES UNLESS SHOWN OTHERWISE
--------------------------------	--	-------------------------------------	---



PROJECT No.:	FILE No.:
DESIGN No.:	SURVEY No.:
PROJECT START ROAD RUNNING DISTANCE:	
PROJECT END ROAD RUNNING DISTANCE:	
SCALES:	NOT TO SCALE

DESIGNED:		DRAFTED: PR		ACCEPTED FOR USE: R B SAUNDERS		ACCEPTANCE FORM KNET No.:		DRAWING No.:		SHEET No.:		AMEND No.:	
CHECKED:				DATE: 31/05/1991		-		S-4070		7		8	
IN ACCORDANCE WITH DP013 SHEET LATITUDE N/A												SHEET LONGITUDE N/A	

STANDARD DRAWING  
KERB & GUTTER  
DETAILS

CAD FILE NAME: 4070 SHEET 0007.DWG